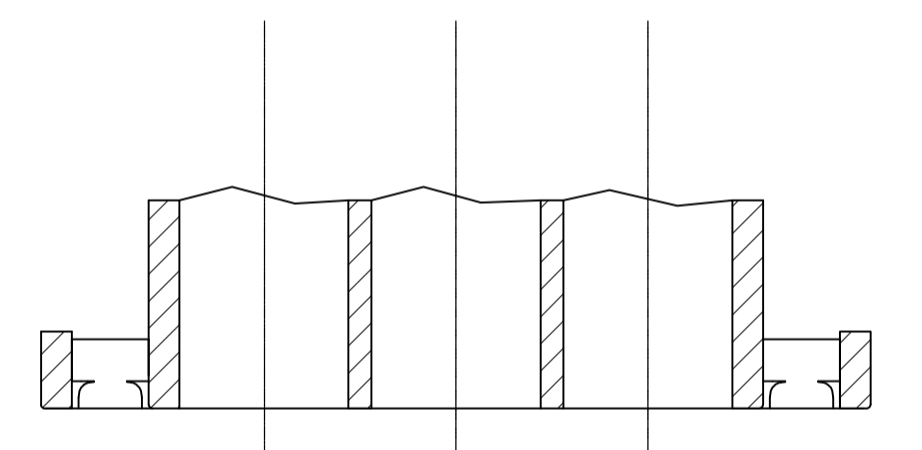
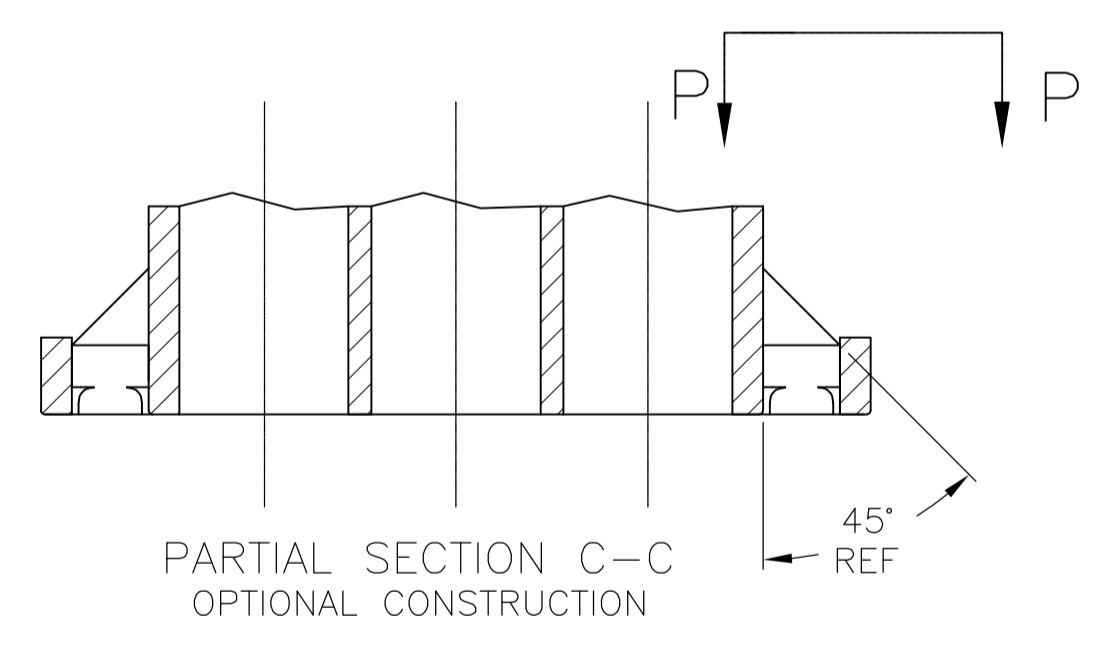


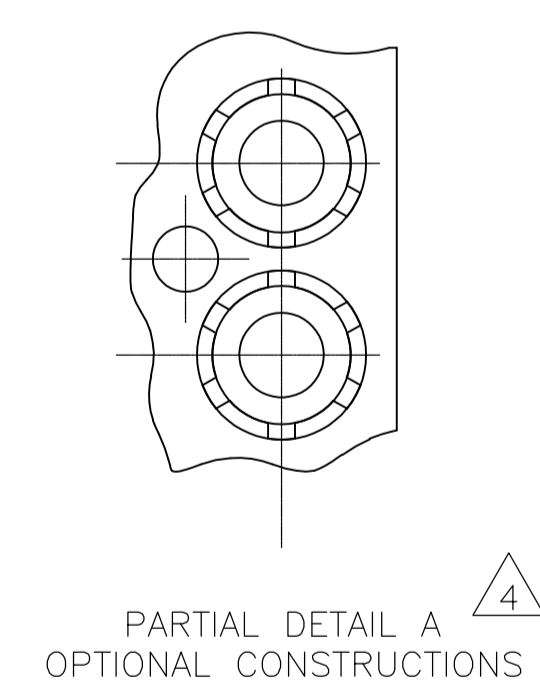
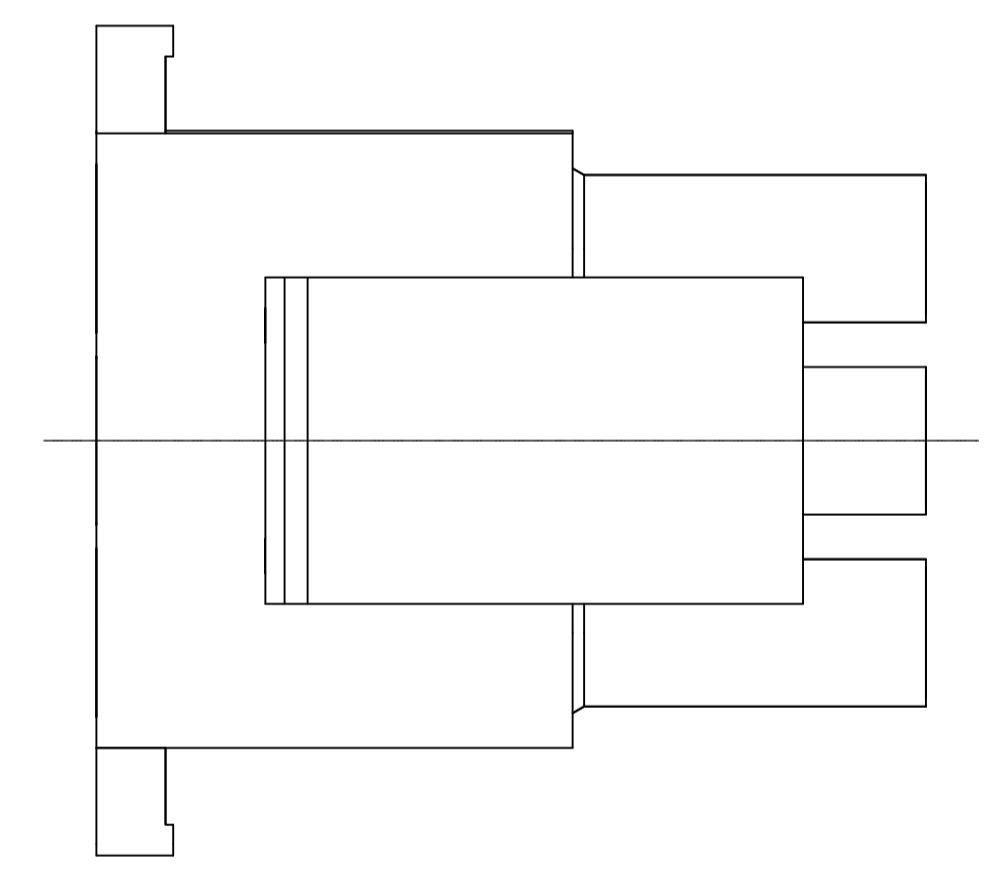
- MATES WITH APPROPRIATE UNIVERSAL MATE-N-LOK CAP OR HEADER.
  - SMALL NICKS ARE PERMITTED ON THE CIRCUIT TOWERS WHICH COULD INCREASE THE INITIAL HOUSING MATING FORCE BY UP TO 4.4 NEWTONS [1.0 LBS]. NO INDIVIDUAL NICKED TOWER SHALL INCREASE THIS FORCE BY OVER 2.2 NEWTONS [.5 LBS].
- △3 DIMENSION INDICATED IS AS MOLDED. ADDITIONAL GROWTH DUE TO SUBSEQUENT MOISTURE ABSORPTION MAY OCCUR.
- △4 FOUR RIBS EQUALLY SPACED, NO SPECIFIC ORIENTATION. OR SIX RIBS EQUALLY SPACED, NO SPECIFIC ORIENTATION, OPTIONAL.
- △5 UNDERWRITERS RECOGNIZED COMPONENT LOGO AND CSA CERTIFICATION LOGO TO BE LOCATED ONCE EACH ON SIDE OF HOUSING.
- △6 OBSOLETE PARTS: OBSOLETE CIS STREAMLINING PER D.RENAUD/D.SINISI



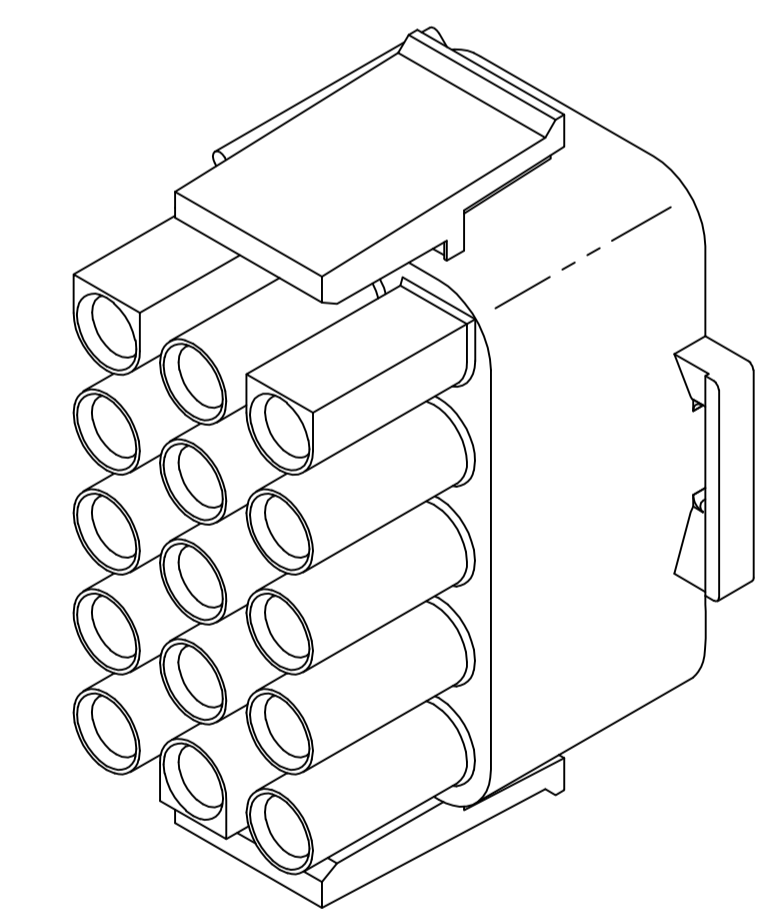
PARTIAL SECTION C-C



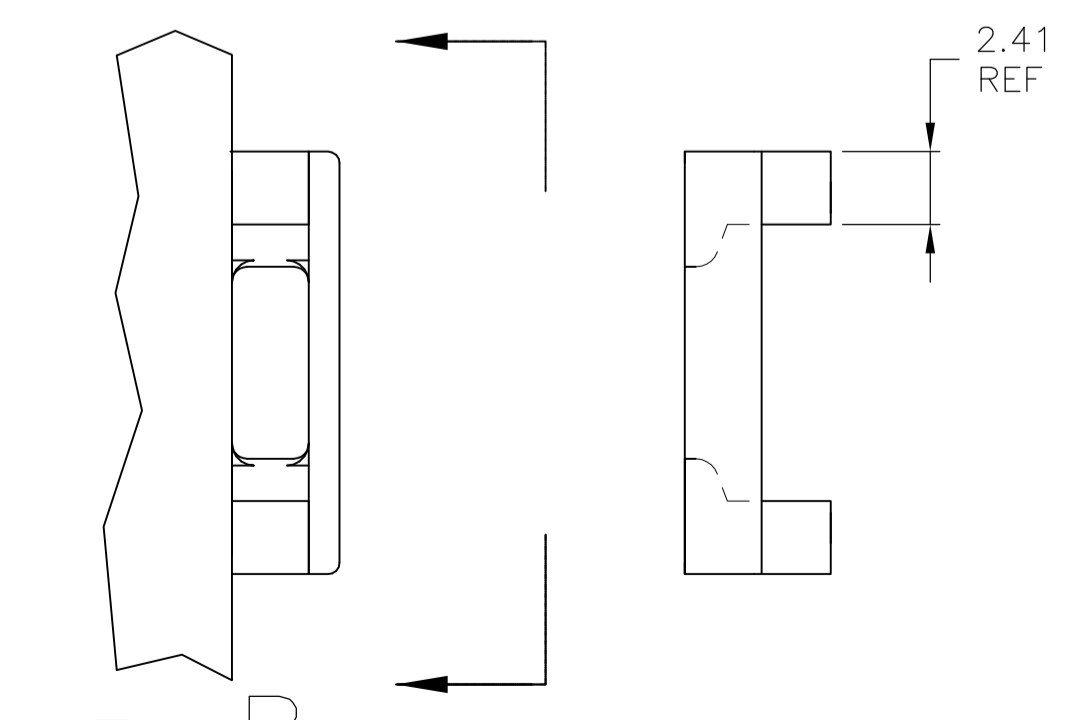
PARTIAL SECTION C-C  
OPTIONAL CONSTRUCTION



PARTIAL DETAIL A  
OPTIONAL CONSTRUCTIONS



3-DIMENSIONAL MODEL  
NTS



VIEW P  
OPTIONAL CONSTRUCTIONS

△6	BLACK	1-480710-9
	GRAY	1-480710-8
	BLUE	1-480710-6
	GREEN	1-480710-5
	YELLOW	1-480710-4
	ORANGE	1-480710-3
	RED	1-480710-2
	BROWN	1-480710-1
	NATURAL	1-480710-0
	COLOR	PART NUMBER

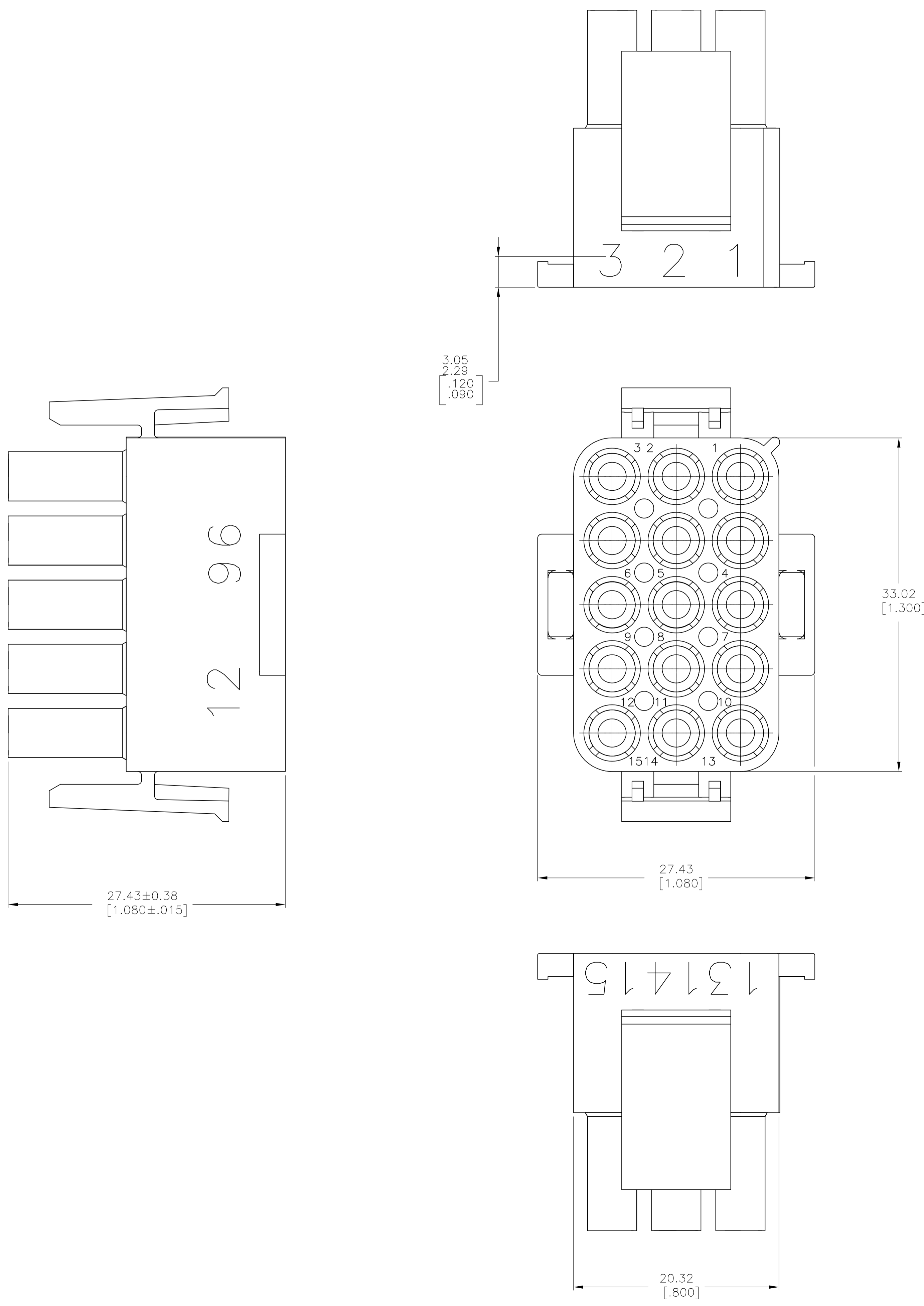
△6 OBSOLETE

△6 SUPERSEDED BY 1-480710-0

△6 OBSOLETE

THIS DRAWING IS A CONTROLLED DOCUMENT.		DIN K. WHITAKER 02SEP04		TE Connectivity	
DIMENSIONS: mm [INCHES]		TOLERANCES UNLESS OTHERWISE SPECIFIED:			
0. PLC ± -		1. PLC ± -		APVD S. RIDGILL NAME	
1. PLC ± -		2. PLC ± 0.13 [.005]		PRODUCT SPEC	
2. PLC ± -		3. PLC ± -		APPLICATION SPEC	
3. PLC ± -		4. PLC ± -		SIZE CASE CODE DRAWING NO	
4. PLC ± -		ANGLES ± 0°30'		RESTRICTED TO	
MATERIAL NYLON, UL 94V-2		FINISH -		WEIGHT -	
				A1 00779 480710	
				CUSTOMER DRAWING SCALE 4:1 SHEET 1 OF 2 REV AN	





1. STAMP NUMBERS 3.18 HIGH AT WIRE END OF HOUSING (12 POINT DAVID TYPE).
2. CHARACTERS TO BE POSITIONED ON HOUSING TO BE READ FROM WIRE END ONLY.
3. VIOLET, BLACK, BROWN, AND BLUE COLORED BLOCKS TO BE STAMPED WITH WHITE CHARACTERS. ALL OTHER COLORED BLOCKS TO BE STAMPED WITH BLACK CHARACTERS.

NATURAL	2-480710-0
COLOR	PART NUMBER

THIS DRAWING IS A CONTROLLED DOCUMENT.		DIN K. WHITAKER 02SEP04		TE Connectivity	
DIMENSIONS: mm [INCHES]		TOLERANCES UNLESS OTHERWISE SPECIFIED:			
		0. PLC ± -	APVD S. RIDGILL	NAME PLUG, 15 CIRCUIT, UNIVERSAL MATE-N-LOK	
		1. PLC ± -	PRODUCT SPEC	APPLICATION SPEC	
		2. PLC ± 0.13 [.005]	WEIGHT -	SIZE A1	CAGE CODE 00779
		3. PLC ± -	RESTRICTED TO -	DRAWING NO. 480710	
		4. PLC ± -	CUSTOMER DRAWING	SCALE 4:1 SHEET 2 OF 2 REV AN	
		ANGLES ± 0°30'			
MATERIAL NYLON, UL 94V-2		FINISH -			

